

## Explanatory note on the differences between K101 and K102

The first model from OE was the K101, as you can see in the image, it needs a metal base for its assembly. DOLZ doesn't supply that base.

OE replaced the K101 by the K102, this last version has that built-in base, it's the same as the K101 + the base. So in all applications of the K101, the K102 can be assembled. OE and other aftermarket brands have eliminated the K101 and don't supply the metal base.

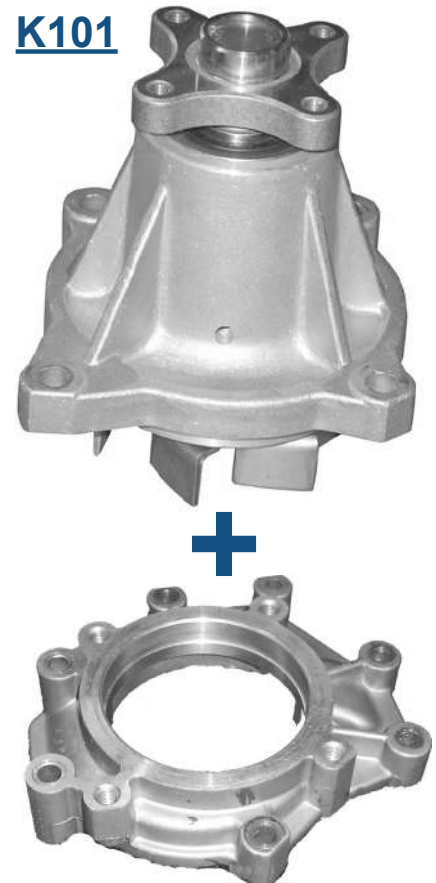
The K101 of Dolz can be assembled if the metal base is in perfect condition, if it's not, it is necessary to assemble the K102. The origin numbers can't be differentiated because they have all been unified in K102.

Marca Brand	Modelo Model	Version	Cyl.	Kw	Cv	Motor Engine	Desde From	Hasta To	Dolz
Hyundai	H-1 / STAREX Bus (KMF)	2.5 CRDi	2497	103	140	D4CB	12.2002	04.2004	K102 / K101
Hyundai	H-1 / STAREX	2.5 CRDi	2497	81	110		06.2006	12.2007	K102 / K101
Hyundai	H-1 Kasten	2.5 CRDi	2497	81	110	D4CB	07.2001	04.2004	K102 / K101
Hyundai	H-1 Kasten	2.5 CRDi	2497	103	140	D4CB	08.2003	04.2004	K102 / K101
Hyundai	H-1 Cargo	2.5 CRDi	2497	81	110	D4CB	02.2008		K102 / K101
Hyundai	H-1 Cargo	2.5 CRDi	2497	125	170	D4CB	02.2008		K102 / K101
Hyundai	H-1 Travel	2.5 CRDi	2497	125	170	D4CB	05.2008		K102 / K101
Kia	SORENTO (JC)	2.4	2351	102	139	G4JS	08.2002		K102 / K101
Kia	SORENTO (JC)	3.5 V6	3497	143	194	G6CU	08.2002		K102 / K101
Kia	SORENTO (JC)	2.5 CRDi	2497	103	140	D4CB	08.2002		K102 / K101
Kia	SORENTO (JC)	2.5 CRDi	2497	125	170	D4CB	12.2006		K102 / K101

## Oe numbers:

OEM	Reference
251004A000	K101 / K102
251004A100	K101 / K102
251004A200	K101 / K102
251004A300	K101 / K102
M251004A000	K101 / K102

## K101



## K102



=

+